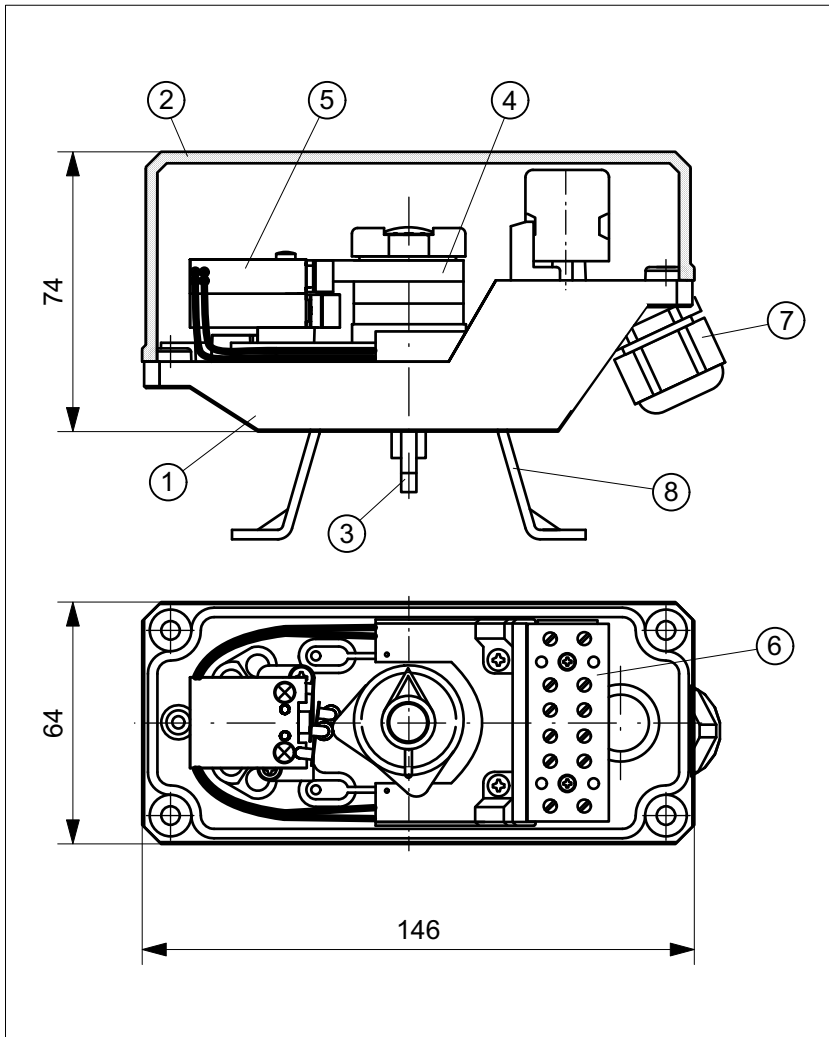




# TCR1VVAZ

TCR-Module for hazardous areas with two micro switches Crouzet 83.139.1 in Vestamid-Housing 146 x 64 x 74 mm, protection class Ex ed IIC T6 Gb



## TECHNICAL DATA

Manufacturer: Crouzet  
 Type: 83.139.1  
 Micro switch  
 Switching capacity: 5 A, 250 V AC  
 Contacts: Silver-Nickel  
 Economic life-time:  $5 \times 10^6$  switching cycles  
 Temperature:  $-20 \dots +60^\circ\text{C}$   
 Housing: Vestamid, black  
 Housing: Vestamid, black  
 Sealing: EPDM  
 Ingress protection: IP65  
 Switching precision:  $<1.5^\circ$   
 System connection: Cable gland M20x1,5  
 Clamp. range 5,5 ... 13 mm



**II 2G Ex d e IIC T6 Gb**  
**PTB 02 ATEX 1150**

## OBJECT LIST

Pos.	Pcs.	Description	Material
1	1	Housing base	Vestamid
2	1	Housing cover	Vestamid
3	1	TCR-Axis	POM
4	1	Switch cam system	POM
5	2	Micro switch Ex d IIC T6 Gb	-
6	1	Terminal block Ex e II	-
7	1	Cable gland Ex e II	PA
8	1	Bracket size 1 - 4	A2

## WIRING DIAGRAM

