



## Resistance thermometers WTh 25



### Benefits

- Suitable for use in mechanical engineering, plant engineering, appliance engineering, process engineering and chemical industry
- Screw-in resistance thermometer with PT 100 sensor
- Wetted parts 316 Ti

### Application

Screw-in resistance thermometer for medium pressure and flow loads at higher temperatures

### Technical specifications

#### Sensor

1 x Pt100  
3-wire  
Class B, IEC 751

#### Measuring insert

Replaceable  
Diameter: 6 mm

#### Thermowell

As per DIN 43772  
Ø 9 x 1 mm  
Stainless steel 316 Ti

#### Neck

Ø 9 x 1 mm  
Length: 120 mm  
Stainless steel 316 Ti

#### Process connection

G½B  
Stainless steel 316 Ti

#### Installation length

100, 125, 160, 250, 400 mm

#### Connection head

Type B As per DIN 43729  
Aluminium die cast

#### Electrical connection

Cable gland

#### Degree of protection

IP 54 (EN 60529)

#### Measuring range

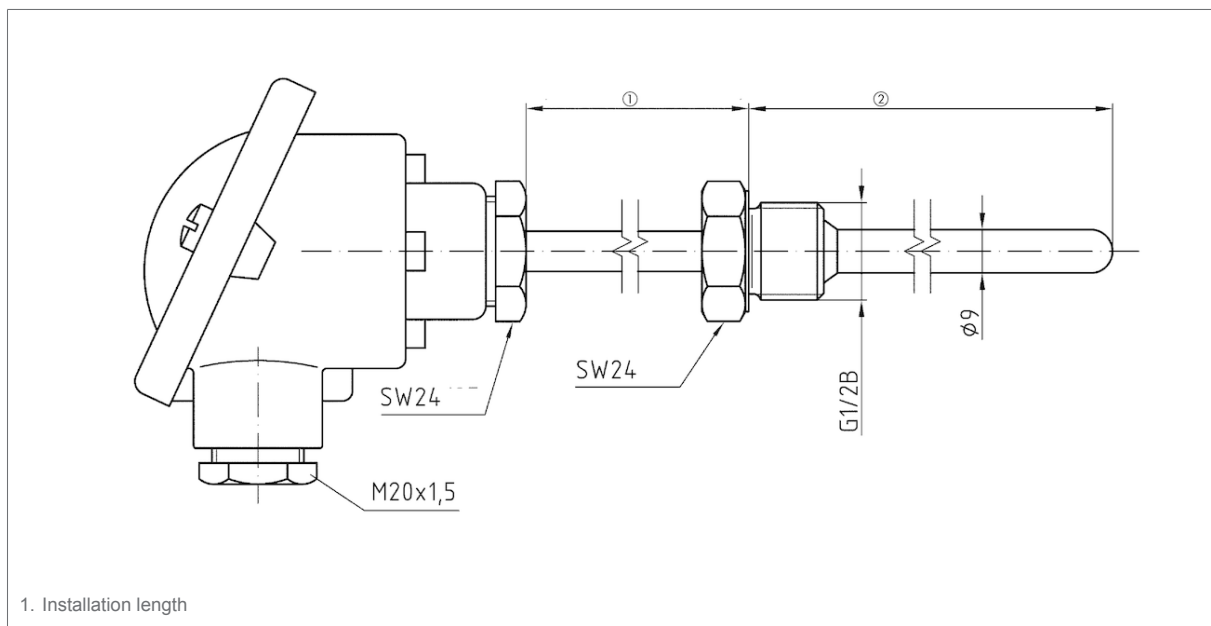
-35/+400 °C

### Options

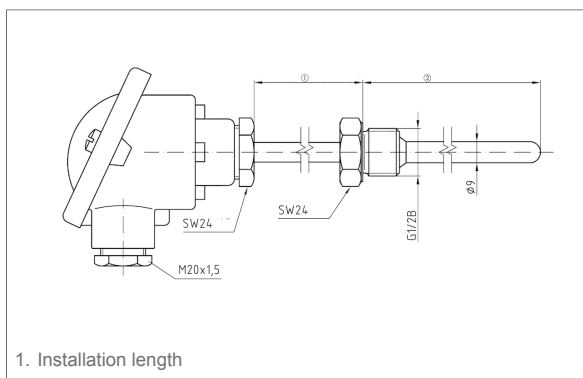
- Sensor class A
- Sensor Pt1000
- Reduced measuring tip (6 mm)
- Transmitter installation
- Other thermowell materials
- Other process connections
- Other installation lengths




### Detail views



### Technical drawings



### Versions

	Installation length	Part no.
Resistance thermometers WTh 25	100 mm	32240
Resistance thermometers WTh 25	125 mm	32241
 Resistance thermometers WTh 25	160 mm	32242
Resistance thermometers WTh 25	250 mm	32243
Resistance thermometers WTh 25	400 mm	32244

Blue part no. = in-stock items