



**Model Number**

**NJ40+U1+A2-T**

**Features**

- 40 mm non-flush
- Extended temperature range

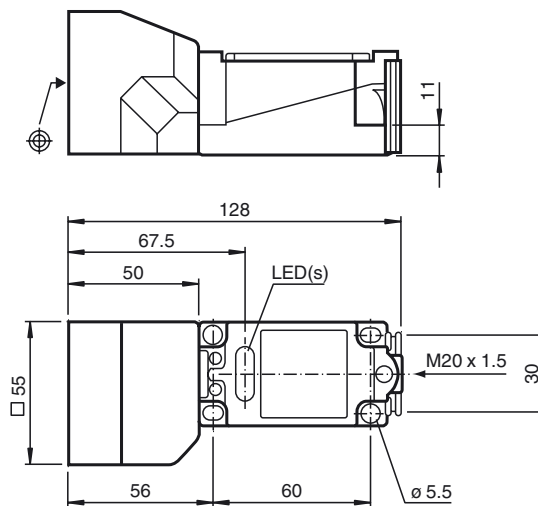
**Accessories**

- V1-M20-80**  
Receptacles, M12/M20; plastic version
- V1-G**  
Female connector, M12, 4-pin, field attachable
- V1-W**  
Female connector, M12, 4-pin, field attachable
- MHW 01**  
Modular mounting bracket

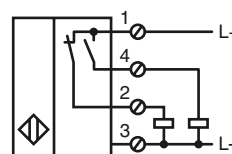
**Technical Data**

General specifications			
Switching element function		PNP	NO/NC
Rated operating distance	$s_n$	40 mm	
Installation		non-flush	
Output polarity		DC	
Assured operating distance	$s_a$	0 ... 32.4 mm	
Reduction factor $r_{Al}$		0.4	
Reduction factor $r_{Cu}$		0.3	
Reduction factor $r_{304}$		0.85	
Nominal ratings			
Operating voltage	$U_B$	10 ... 60 V	
Switching frequency	$f$	0 ... 300 Hz	
Hysteresis	$H$	typ. 3 %	
Reverse polarity protection		reverse polarity protected	
Short-circuit protection		pulsing	
Voltage drop	$U_d$	$\leq 3$ V	
Operating current	$I_L$	0 ... 200 mA	
No-load supply current	$I_0$	$\leq 20$ mA	
Time delay before availability	$t_v$	$\leq 20$ ms	
Operating voltage indicator		LED, green	
Switching state indicator		LED, yellow	
Ambient conditions			
Ambient temperature		-25 ... 100 °C (-13 ... 212 °F)	
Mechanical specifications			
Connection type		screw terminals	
Information for connection		A maximum of two conductors with the same core cross-section may be mounted on one terminal connection!	
		tightening torque 1.2 Nm + 10 %	
Core cross-section		up to 2.5 mm <sup>2</sup>	
Minimum core cross-section		without wire end ferrule 0.5 mm <sup>2</sup> , with connector sleeves 0.34 mm <sup>2</sup>	
Maximum core cross-section		without wire end ferrule 2.5 mm <sup>2</sup> , with connector sleeves 1.5 mm <sup>2</sup>	
Housing material		PBT	
Sensing face		PBT	
Degree of protection		IP68	
Compliance with standards and directives			
Standard conformity			
Standards		EN 60947-5-2:2007	IEC 60947-5-2:2007
Approvals and certificates			
UL approval		cULus Listed, General Purpose	
CSA approval		cCSAus Listed, General Purpose	
CCC approval		Certified by China Compulsory Certification (CCC)	

**Dimensions**



**Electrical Connection**



Release date: 2016-09-29 11:41 Date of issue: 2016-10-10 084809\_eng.xml