

Preparation of compressed air → Maintenance units and components

Pressure regulator, Series NL2-RGS

► G 1/8 - G 3/8 ► Qn = 1500 l/min ► Activation : mechanical ► ATEX certified



00107354

| | |
|-------------------------------|---|
| ATEX | II 2G2D X |
| Regulator type | Diaphragm-type pressure regulator, Can be assembled into blocks |
| Regulator function | with relieving air exhaust |
| Installation location | arbitrary |
| Pressure supply | single |
| Ambient temperature min./max. | -10 °C / +60 °C |
| Medium temperature min./max. | -10 °C / +60 °C |
| Working pressure min./max. | 0.5 bar / 16 bar |
| Adjustment range min./max. | See table below |
| Medium | Compressed air |
| Materials: | |
| Housing | Die cast zinc |
| Cover | Acrylonitrile butadiene styrene |
| Seal | Acrylonitrile Butadiene Rubber |

Technical Remarks

- The pressure dew point must be at least 15 °C under ambient and medium temperature and may not exceed 3 °C.
- Recommended pre-filtering: 5 µm

| | Port | Qn | Adjustment range | | Weight | Part No. |
|--|-------|---------|------------------|-------|--------|-------------------|
| | | | min. | max.. | | |
| | | [l/min] | [bar] | | [kg] | |
| | G 1/8 | 1500 | 0.1 - 3 | | 0.41 | 0821302424 |
| | G 1/8 | | 0.2 - 6 | | | 0821302430 |
| | G 1/8 | | 0.5 - 10 | | | 0821302420 |
| | G 1/4 | | 0.1 - 3 | | | 0821302404 |
| | G 1/4 | | 0.2 - 6 | | | 0821302560 |
| | G 1/4 | | 0.5 - 10 | | | 0821302400 |
| | G 3/8 | | 0.1 - 3 | | | 0821302451 |
| | G 3/8 | | 0.2 - 6 | | | 0821302452 |
| | G 3/8 | | 0.5 - 10 | | | 0821302440 |
| | G 1/8 | 1500 | 0.1 - 3 | | 0.325 | 0821302431 |
| | G 1/8 | | 0.2 - 6 | | | 0821302432 |
| | G 1/8 | | 0.5 - 10 | | | 0821302421 |
| | G 1/4 | | 0.1 - 3 | | | 0821302405 |
| | G 1/4 | | 0.2 - 6 | | | 0821302406 |
| | G 1/4 | | 0.5 - 10 | | | 0821302401 |
| | G 3/8 | | 0.1 - 3 | | | 0821302444 |
| | G 3/8 | | 0.2 - 6 | | | 0821302453 |
| | G 3/8 | | 0.5 - 10 | | | 0821302441 |

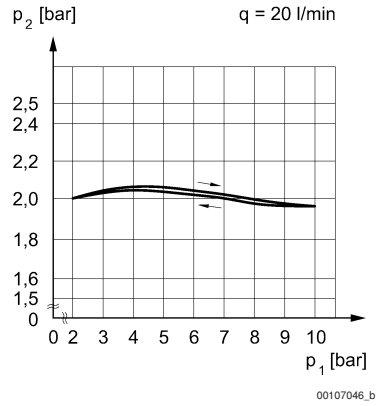
nominal flow Qn with secondary pressure 6 bar at $\Delta p = 1$ bar

Preparation of compressed air → Maintenance units and components

Pressure regulator, Series NL2-RGS

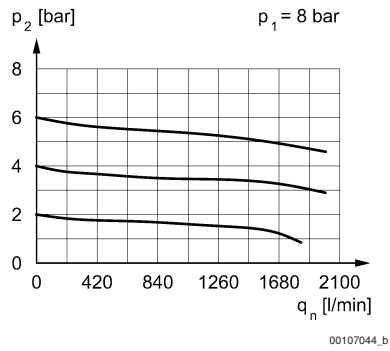
► G 1/8 - G 3/8 ► Qn = 1500 l/min ► Activation : mechanical ► ATEX certified

Pressure characteristics curve



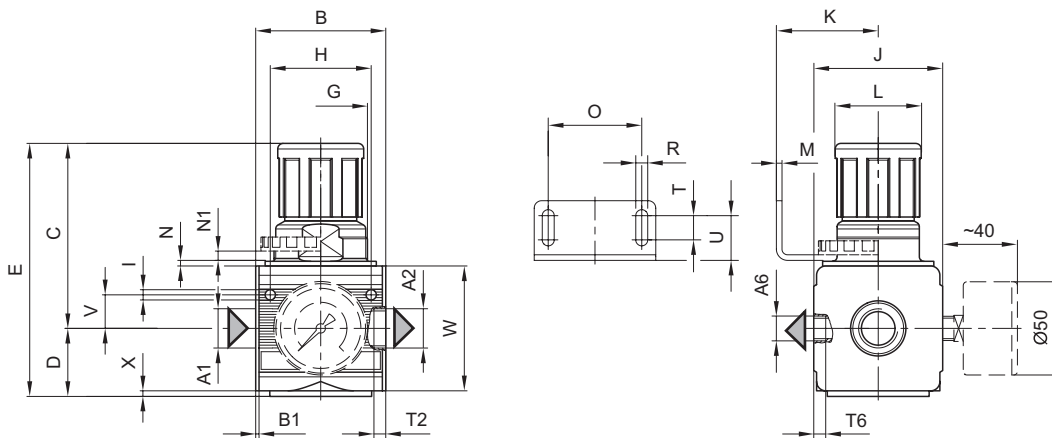
p1 = working pressure; p2 = secondary pressure; q = flow rate

Flow rate characteristic (setting range p2: 0.5 - 10 bar)



p1 = working pressure; p2 = secondary pressure; qn = nominal flow

Dimensions



00107355

Preparation of compressed air → Maintenance units and components

Pressure regulator, Series NL2-RGS
► G 1/8 - G 3/8 ► Qn = 1500 l/min ► Activation : mechanical ► ATEX certified

| A1 | A2 | A6 | B | B1 | C | D | E | G | H | I | J | K | L |
|-----------|-----------|-----------|----------|-----------|----------|----------|----------|----------|----------|----------|----------|----------|----------|
| G 1/8 | G 1/8 | G 1/4 | 48 | 1.5 | 67.5 | 27 | 94.5 | M30x1,5 | 36 | 4.4 | 47 | 43.5 | 28 |
| G 1/4 | G 1/4 | G 1/4 | 48 | 1.5 | 67.5 | 27 | 94.5 | M30x1,5 | 36 | 4.4 | 47 | 43.5 | 28 |
| G 3/8 | G 3/8 | G 1/4 | 48 | 1.5 | 67.5 | 27 | 94.5 | M30x1,5 | 36 | 4.4 | 47 | 43.5 | 28 |

| A1 | M | N | N1 | O | R | T | T2 | T6 | U | V | W | X |
|-----------|----------|----------|-----------|----------|----------|----------|-----------|-----------|----------|----------|----------|----------|
| G 1/8 | 3 | 3 | 3.5 | 38 | 5.4 | 8 | 9.5 | 7 | 18.5 | 12.3 | 52 | 1 |
| G 1/4 | 3 | 3 | 3.5 | 38 | 5.4 | 8 | 9.5 | 7 | 18.5 | 12.3 | 52 | 1 |
| G 3/8 | 3 | 3 | 3.5 | 38 | 5.4 | 8 | 9.5 | 7 | 18.5 | 12.3 | 52 | 1 |
