

Vacuum ejectors

Ejector with air supply control, Series EBE

Rexroth
Bosch Group



Type	Ejector units for the creation of vacuum	
Ambient temperature range	-15 °C to +50 °C (+5 °F to +122 °F)	
Working pressure range	0 – 7 bar (0 – 102 psi)	
Optimal inlet pressure (P. opt)	4 bar (58 psi)	
Max. vacuum level at P. opt	85 [% vacuum]	
Medium	Compressed air	ISO 8573-1:2001, class 6-4-3 or lower*
Voltage	See table	
Power consumption P ₂₀	NW 1,5	230 V AC, 11 VA Pickup power 230 V AC, 8,5 VA Holding power 24 V DC, 4,8 W
	NW 2,5	230 V AC, 11,5 VA Pickup power 230 V AC, 8,0 VA Holding power 24 V DC, 4,5 W
Duty cycle	ED	100%
Degree of protection		IP 65
Materials	Ejector body	Anodized aluminum
	Nozzles	Brass



* Particle size ≤ 5 µm, dew point ≤ 3 °C, oil content ≤ 1 mg/m³



Part no.

Type	Suction capacity against atmosphere [l/min] (SCFM)	Air consumption at P.opt [l/min] (SCFM)	Weight [kg] (lbs)	Power supply	NW	Part no.
EBE-20-NC	12 (0.42)	20 (0.71)	0,125 (0.276)	without coil	1,5	0821305038
EBE-20-NC	12 (0.42)	20 (0.71)	0,185 (0.408)	24 V DC	1,5	0821305026
EBE-20-NC	12 (0.42)	20 (0.71)	0,185 (0.408)	230 V AC	1,5	0821305029
EBE-30-NC	18 (0.64)	30 (1.06)	0,134 (0.295)	without coil	1,5	0821305039
EBE-30-NC	18 (0.64)	30 (1.06)	0,194 (0.428)	24 V DC	1,5	0821305027
EBE-30-NC	18 (0.64)	30 (1.06)	0,194 (0.428)	230 V AC	1,5	0821305030
EBE-60-NC	36 (1.27)	60 (2.12)	0,160 (0.353)	without coil	2,5	0821305040
EBE-60-NC	36 (1.27)	60 (2.12)	0,270 (0.595)	24 V DC	2,5	0821305028
EBE-60-NC	36 (1.27)	60 (2.12)	0,270 (0.595)	230 V AC	2,5	0821305031

EBE -...- NC



NC = Ejector line closed without current



Accessories (to be ordered separately)

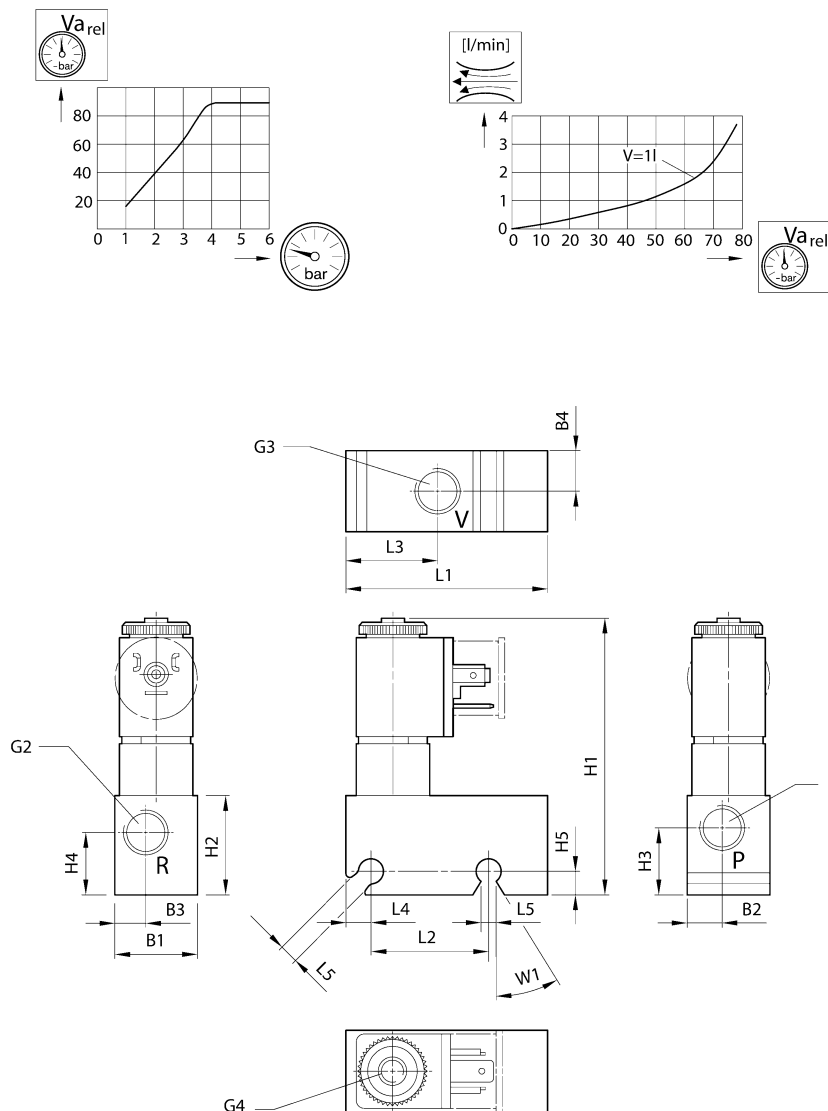
Accessory	Type	NW 1,5	NW 2,5
	Parts kit for pilot valve (assembly without solenoid coil)		
	Shape A	-	1827414087
	Shape B	1827414084	-
	Solenoid coils with plug-in connectors		
	Shape A (DIN 43 650) 24 V DC	-	1824210223
	230 V AC	-	1824210220
	Shape B (DIN 43 650) 24 V DC	1824210243	-
	230 V AC	1824210235	-
	Socket coupling		
	Shape A (DIN 43 650) PG 9	-	1834484059
	Shape A (DIN 43 650) PG 11	-	1834484060
	Shape B (DIN 43 650) PG 9	1834484096	-

Vacuum ejectors

Ejector with air supply control, Series EBE

Rexroth
Bosch Group

Characteristics



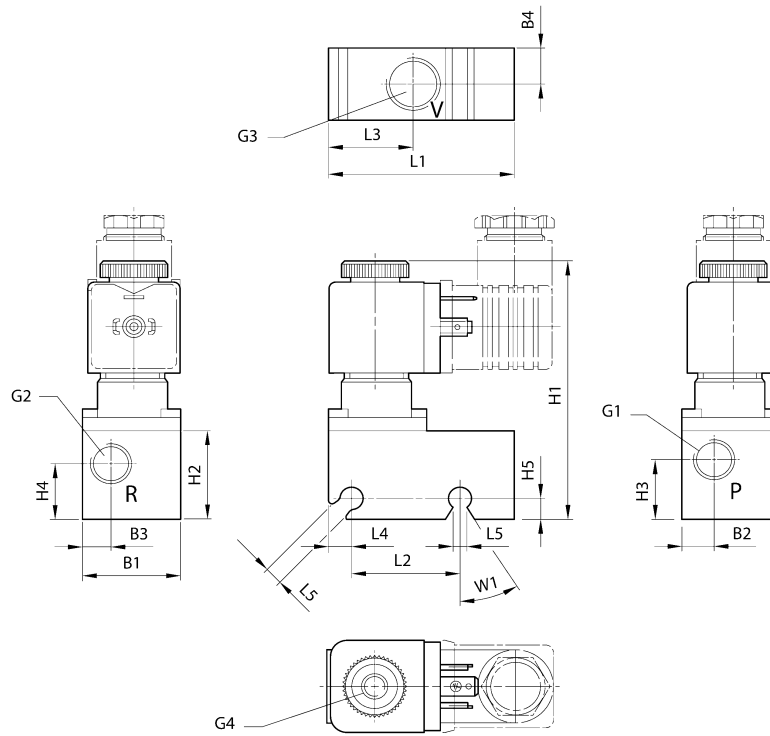
00109037

B1	B2	B3	B4	H1	H2	H3	H4	H5	L1	L2	L3	L4	L5	G1	G2	G3	G4	W1	Part no.
24	10	9	12	~ 82	30	20	19	7	60	35	28	7,5	5	G1/4x12	G1/4x12	G1/4x12	M5x5	30°	0821305026
24	10	9	12	~ 82	30	20	19	7	60	35	28	7,5	5	G1/4x12	G1/4x12	G1/4x12	M5x5	30°	0821305027
24	10	9	12	~ 82	30	20	19	7	60	35	28	7,5	5	G1/4x12	G1/4x12	G1/4x12	M5x5	30°	0821305029
24	10	9	12	~ 82	30	20	19	7	60	35	28	7,5	5	G1/4x12	G1/4x12	G1/4x12	M5x5	30°	0821305030
24	10	9	12	~ 82	30	20	19	7	60	35	28	7,5	5	G1/4x12	G1/4x12	G1/4x12	M5x5	30°	0821305038
24	10	9	12	~ 82	30	20	19	7	60	35	28	7,5	5	G1/4x12	G1/4x12	G1/4x12	M5x5	30°	0821305039

Vacuum ejectors

Ejector with air supply control, Series EBE

Rexroth
Bosch Group



00109038

B1	B2	B3	B4	H1	H2	H3	H4	H5	L1	L2	L3	L4	L5	G1	G2	G3	G4	W1	Part no.
32	10	9	12	~ 84	30	20	19	7	60	35	28	7,5	5	G1/4	G1/4x12	G3/8x12	M5x5	30°	0821305028
32	10	9	12	~ 84	30	20	19	7	60	35	28	7,5	5	G1/4	G1/4x12	G3/8x12	M5x5	30°	0821305031
32	10	9	12	~ 84	30	20	19	7	60	35	28	7,5	5	G1/4	G1/4x12	G3/8x12	M5x5	30°	0821305040