

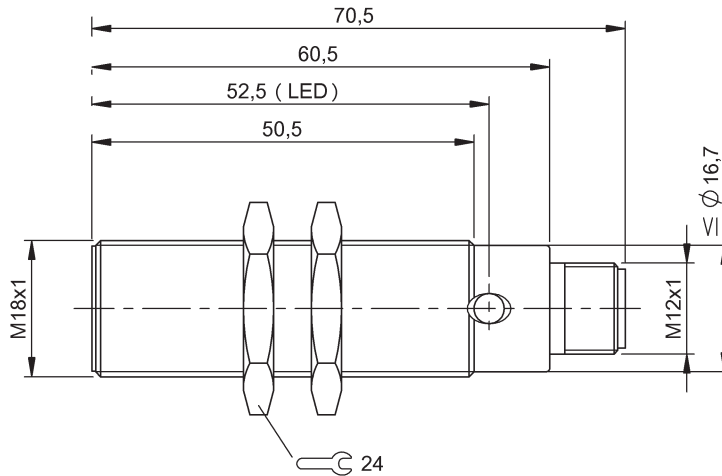
Inductive sensor

BES 515-211-E5-E-S27

Order code: **BES02E6**

BALLUFF

sensors worldwide



- Normally open (NO)
- 5.00 mm
- Flush (shielded)
- Connector, M12x1-S27



General attributes

Approvals / Conformity	cULus CE
Basic standard	IEC 60947-5-2
Enclosure Type per IEC 60529	IP67
Function indicator	Yes
Polarity reversal protected	Yes
Power indicator	No
Protection Class	I
Short circuit protected	Yes

Switching freq. f max. (at Ue)	400 Hz
Switching function	Normally open (NO)
Voltage drop dynamic max.	7.5 V
Voltage drop static max.	11.0 V

Electrical attributes

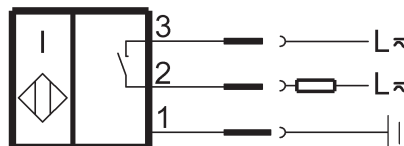
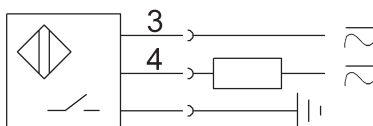
Connection type	Connector
Eff. operating current Ie	250 mA
Eff. operating voltage Ue AC	110.0 V
Electrical version	UC (AC/DC)
Minimum operating current Im	5 mA
Operating voltage UB max. AC [V]	250.0 V
Operating voltage UB max. DC [V]	250.0 V
Operating voltage UB min. AC [V]	20.0 V
Operating voltage UB min. DC [V]	20.0 V
Rated frequency, AC	50/60/DC
Rated insulation voltage Ui	250 VAC
Rated short circuit current	100 A
Short-time cur. load cap. Freq	1.0 Hz
Short-time load cap./time Ikt	1.5 A/20 ms

Mechanical attributes

Ambient temperature Ta max.	70 °C
Ambient temperature Ta min.	-25 °C
Assured operating distance Sa	4.00 mm
Connector type	M12x1-S27
Depth	70.5 mm
Diameter d1	M18x1
Eff. operating distance Sr	5.00 mm
Housing material	1.4305
Mech. installation condition	Flush (shielded)
Mounting length	50.5 mm
Rated operating distance Sn [mm]	5.00 mm
Sensing face material	PA 12
Tightening torque	45 Nm

Additional text

With connector, e.g. BKS-S 28E-... total length = switch length +20 mm.
 Ta ≥ 25 °C... ≤ 70 °C: Ie= 250 - 2.2x(Ta-25).
 Leakage current Ir max. at rated operating voltage Ue AC 110 V
 When the overload is removed, interrupt supply voltage Ub for approx.2 sec.



Inductive sensor

BES 515-211-E5-E-S27
Order code: **BES02E6**

