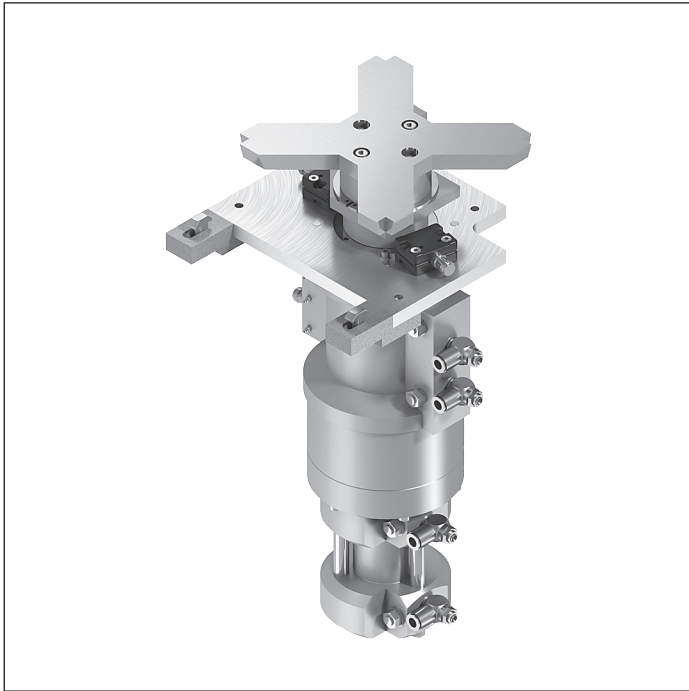


HD 2 lift rotate unit



- ▶ Turning angles on the Z axis: 90° or 180°. The direction of rotation of the HD 2/90° can be individually selected for each workpiece pallet as required
- ▶ WT lift 40 mm or 90 mm above transportation level
The version with a 40 mm lift is suitable for turning workpiece pallets directly above the conveyor section. If there are any components mounted at the side of the workpiece pallet, e.g., identification and data storage modules, it may be necessary to select the version with a 90 mm lift
- ▶ Max. permitted mass moment of inertia: 0.65 kgm²

The HD 2 lift rotate unit turns workpiece pallets to the required orientation. On circuits without curves it ensures that the workpiece pallet always runs with the correct orientation, i.e., front is always front.

Work on the HD 2 is permitted without additional forces.

Accessories

Required accessories

- ▶ VE 2 stop gate, see p. 8-4
- ▶ M12x1 sensor with rated sensing range $S_N \geq 4$ mm, can be installed at 0.5 mm rather than being installed flush, see p. 8-108

Delivery notes

Scope of delivery

- ▶ Incl. fastening material

Ordering information

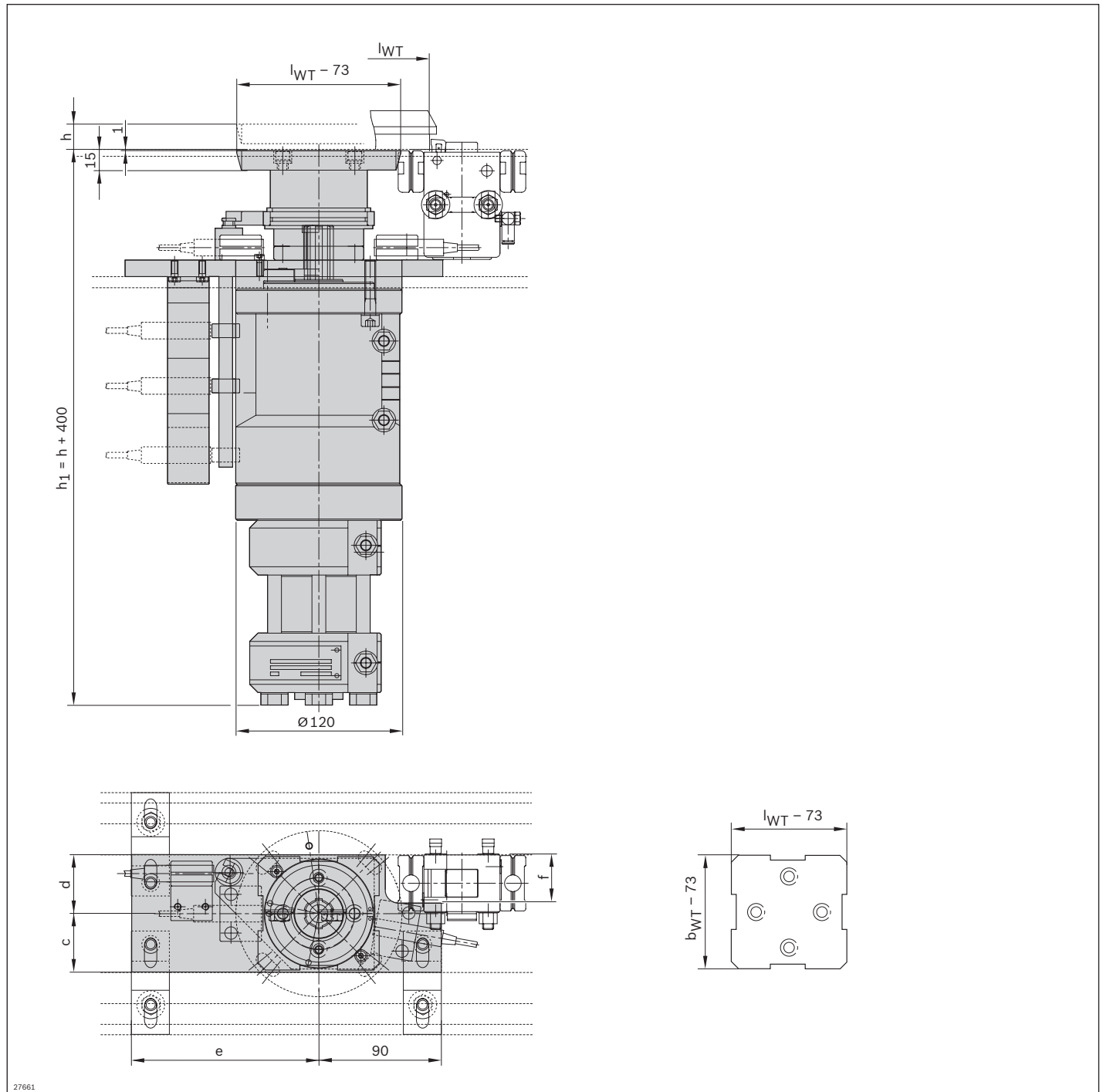
Product designation	b (mm)	l _r (mm)	DW (°)	h (mm)	Material number
HD 2 lift rotate unit	160	160	90	40	3842525847
HD 2 lift rotate unit	160	160	180	40	3842525848
HD 2 lift rotate unit	160	160	90	90	3842525849
HD 2 lift rotate unit	160	160	180	90	3842525850
HD 2 lift rotate unit	160	240	180	40	3842525851
HD 2 lift rotate unit	160	240	180	90	3842525852
HD 2 lift rotate unit	160	320	180	40	3842525853
HD 2 lift rotate unit	160	320	180	90	3842525854
HD 2 lift rotate unit	240	160	180	40	3842525855
HD 2 lift rotate unit	240	160	180	90	3842525856
HD 2 lift rotate unit	240	240	90	40	3842525857
HD 2 lift rotate unit	240	240	180	40	3842525858
HD 2 lift rotate unit	240	240	90	90	3842525859
HD 2 lift rotate unit	240	240	180	90	3842525860
HD 2 lift rotate unit	240	320	180	40	3842525861
HD 2 lift rotate unit	240	320	180	90	3842525862
HD 2 lift rotate unit	320	160	180	40	3842525863
HD 2 lift rotate unit	320	160	180	90	3842525864
HD 2 lift rotate unit	320	240	180	40	3842525865
HD 2 lift rotate unit	320	240	180	90	3842525866
HD 2 lift rotate unit	320	320	90	40	3842525867
HD 2 lift rotate unit	320	320	180	40	3842525868
HD 2 lift rotate unit	320	320	90	90	3842525869
HD 2 lift rotate unit	320	320	180	90	3842525870

7

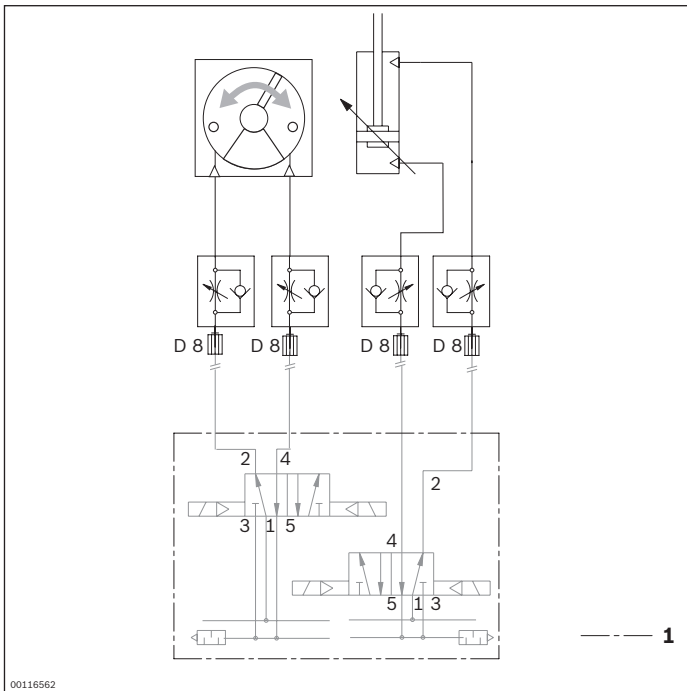
Technical data

Material number	3842525847	3842525853	3842525859	3842525865
	3842525848	3842525854	3842525860	3842525866
	3842525849	3842525855	3842525861	3842525867
	3842525850	3842525856	3842525862	3842525868
	3842525851	3842525857	3842525863	3842525869
	3842525852	3842525858	3842525864	3842525870
Load				
Max. total workpiece pallet weight	m _G	kg		16
Features				
ESD				Yes
Additional information				
WT lift above conveying level				40; 90

Dimensions



Circuit diagrams



1 Not included in delivery