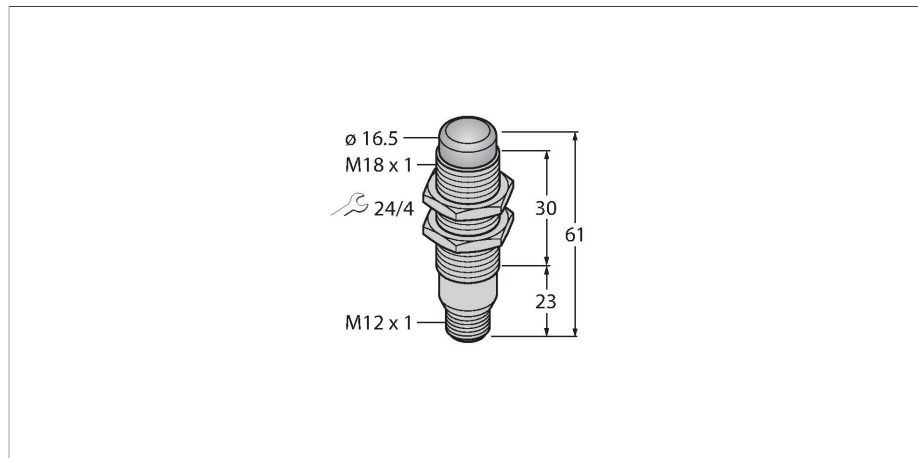


M18RGXPQ

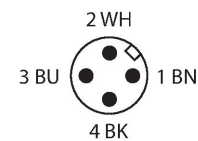
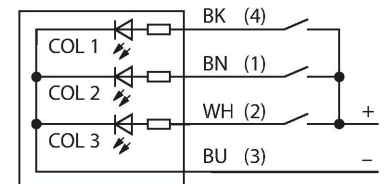
LED Indicator – Beacon



Features

- LED
- Individually controllable
- Mechanical screw-in thread M18x1
- Protection class IP67
- Multicolor: Red (COL 1) / Green (COL 2)
- M12 x 1 male
- Operating voltage 10...30 VDC

Wiring diagram



Technical data

Type	M18RGXPQ
ID no.	3074043
Signal and display data	
Purpose	LED indicator light
Function	Spotlight
Light type	Red Green
Dimmable	no
Features of color 1	Red, Permanently on
Features of color 2	Green
Electrical data	
Operating voltage	10...30 VDC
DC rated operational current	≤ 25 mA
Max. current consumption per color	25 mA
Input type	PNP
Response time typical	< 1 ms
Mechanical data	
Cascadable	no
Design	Cylinder, threaded, M18
Dimensions	Ø 16.5 x 61 x 70.4 x 70.4 mm
Housing material	Metal, Nickel-plated brass
Window material	Plastic, diffuse
Electrical connection	Connectors, M12 × 1, PVC
Number of cores	4
Ambient temperature	-40...+50 °C
Protection class	IP67

Functional principle

Multicolor/multifunction display
 Rugged and well-priced LED tower, easy to install single segment unit
 Illuminated segments for clear operator guidance and display of system status
 Display of up to 3 colors.
 Compact devices, no controller required
 No mounting
 The wiring diagram shows a PNP pin assignment

Technical data

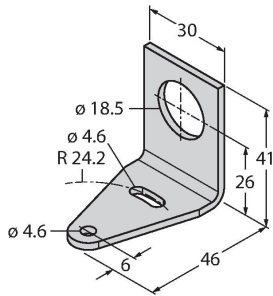
Tests/approvals

Approvals CE

Accessories

SMB18A

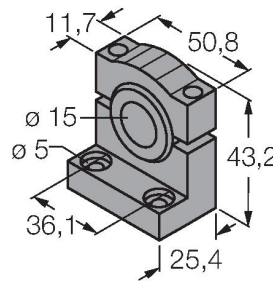
3033200



Mounting bracket, rectangular, stainless steel, for sensors with 18 mm thread

SMB1815SF

3053279



Mounting bracket, PBT black, for PICO-GUARD points

Accessories

Dimension drawing

Type

ID no.

RKC4.4T-2/TEL

6625013

Connection cable, female M12, straight, 4-pin, cable length: 2 m, sheath material: PVC, black; cULus approval; other cable lengths and qualities available, see www.turck.com



WKC4.4T-2/TEL

6625025

Connection cable, female M12, angled, 4-pin, cable length: 2 m, sheath material: PVC, black; cULus approval; other cable lengths and qualities available, see www.turck.com

